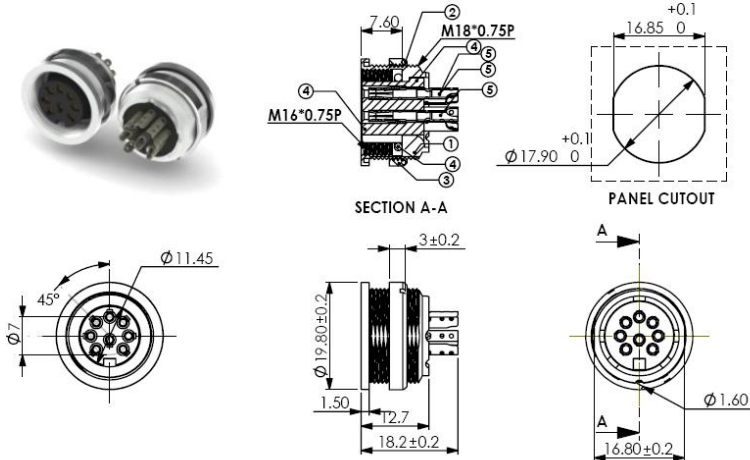


# YE-160XZO DIN SOCKET PANEL MOUNT SCREW LOCKING



YE-1603ZO	YE-1604ZO	YE-1605AZO	YE-1605BZO	YE-1606ZO	YE-1607ZO	YE-1608AZO

## MATERIAL :

1. SHIELD COVER : Zn ALLOY NICKEL PTD.
2. SCREW NUT : BRASS NICKEL PTD.
3. HOUSING : PA66+GF
4. TERMINALS : COPPER GOLD PTD.
5. O-RING : SILICON

## SPECIFICATION :

Rating : 100V AC 1A max.

Contact Resistance :

Pins 30mΩ max.

Shell 50mΩ max.

Insulation Resistance :

100MΩ at 500V DC min.

Voltage Withstand :

250V AC for 1 minute



YE-1603ZO



YE-1604ZO



YE-1605AZO



YE-1605BZO



YE-1606ZO



YE-1607ZO



YE-1608AZO